



第一章 介绍

1.1 注意事项

- ✦ 本手册包含安全操作该系统所需的所有信息, 比如怎样最佳的去使用, 安全可靠的去操作, 有规律的正确的维修要求。
- ✦ 在尝试使用该产品前, 请认真阅读并理解本手册中所有说明。
- ✦ 请一直把本手册放在产品旁边, 为了操作及安全功能, 请阅读所有的重置操作步骤。

1.2 适用范围

- ✦ 医用蒸馏水机是本公司专门为诊所、美容院、医院、实验室等需要使用高精度水场所设计制造的。
- ✦ 由成年人员使用, 该蒸馏水机根据人体工学设计, 具有使用方便, 安全性高等优点, 平均每小时制纯水约1升, 可连续工作。

1.3 原理

本产品是利用将水加热到沸点蒸发成气体, 再通过冷却将高浓度的水蒸气凝结成水, 从而得到纯水(蒸馏水)。

1.3 禁忌

无禁忌

第二章 安全

2.1 标志解释

设备图标说明	
	"注意", 提醒顾客在操作和使用时应注意的要点以及可预见性的风险。
	保护接地" 这个标志暗示需要连接保护接地线。

操作的提示

解释	
阅读	所指示的相关信息对于操作来说很有用使操作更安全
危险	表示不适合的条件下, 或者操作不当可能会导致以下潜在的危险出现: • 财产损失 • 对机器有一定伤害
警告	表示不适合的条件下, 或者操作不当可能会导致以下可预见的危险出现: • 产生人身伤害 • 重大财产损失 • 产生损坏机器

注意: 请在操作中遵从指示的预防措施或者建议。

2.2 一般安全建议

- ✦ 用户应仔细阅读本手册中列出的操作方法和维护的产品。
- ✦ 使用时严禁将手盖出入口堵住
- ✦ 机体外部应保持干燥 (尤其是插座部分以防电触触电或导电到别人)。
- ✦ 打开上盖时由于上盖配合较紧, 用左手压一下机体, 右手打开上盖。
- ✦ 盖上上盖时用手压一下上盖, 使上盖与机体完全密封, 防止漏气。
- ✦ 第一桶蒸馏水不要饮用, 可能带有生产过程中和包装过程中的污染物。
- ✦ 在蒸馏过程中严禁打开上盖, 防止水蒸气烫伤人
- ✦ 未成年严禁使用

2.3 安全部件

热保护	部件名称	功能
	KSD301 温控器	170度自动复位, 保护电路不受超过高温而损坏
	KSD301 温控器	115度手动复位, 防止因水温蒸发后, 无人关闭电源, 又自动加热所产生的安全隐患。
	KSD301 温控器	80度自动复位, 采用铜内的温度来控制冷却风扇的开关, 达到节能和安全目的。

电保护

部件名称	功能
保险丝	短路造成电流过大安全隐患时, 切断电路
电源开关	可方便使用直接时关闭和打开本机。

注意 未经授权或非专业技术人员禁止拆卸、修改、更改机器中的任何部件, 在此情况下出现的任何事故本公司不承担任何责任!

2.3 操作危险

为了避免操作危险, 请在操作过程中多加小心。

操作危险

- ✦ 打开上盖后, 要用手护住上盖, 防止上盖受到外力作用时, 自动关闭, 压伤手。

警告危险

- ✦ 在蒸馏过程中严禁打开上盖, 防止水蒸气烫伤人

污染危险

- ✦ 请在每次使用后及时清洗, 以避免残留的污染物留在腔体内。

第三章 接收和安装

3.1 检查包装

当您收到产品的时候, 请仔细检查包装, 任何一处包装破损可能会损坏到里面的产品。

正面	侧面
型号 包装尺寸mm 包装重量Kg	型号 包装尺寸mm 包装重量Kg

3.2 打开附件清单

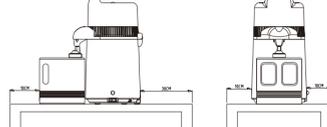
打开包装, 把产品拿出来, 排好塑料袋, 把所有配件拿出来按照下面的表格检查:

编号	附件名称	数量
1	出水嘴	1个
2	大小过滤器	各2个
3	活性炭	1包
4	洗涤剂	1瓶
5	出气口橡胶垫圈	1个
6	10A 保险丝	1个
7	蒸馏水瓶	1个
8	瓶盖	1个
9	导流口	1个
10	说明书	1份
11	电源插头线	1根

注意 不允许把电源线折弯或打结, 以免造成电源线损坏!
不允许使用其它电源线, 以免造成电源线损坏!
不允许使用其它的电源线, 以免造成电源线损坏!
不要使用加长的电源线, 以免造成电源线!

3.3 工作环境

安装机器的角度应至少留 10cm 的空间, 顶部留出 20cm。



建议将机器在通风良好的环境中周边温度在30℃
相对湿度: <80%
空气压力: 860hPa ~ 1060hPa
电压: 220V

3.4 安装

- ✦ 蒸馏水机要平稳的放在平面上, 离边缘保持一定距离, 一般不小于 10 厘米
- ✦ 不要把杂物放在蒸馏水机上盖, 以免造成危险。
- ✦ 正面不要有物体指在前面, 以免造成操作不方便。
- ✦ 商请不要将水等液体或杂物洒到, 以免高温造成烫伤或损坏。

3.5 电源连接

- ✦ 检查电源电压是否对应产品底部的铭牌上的数值。
- ✦ 本机器提供的电源连接位置在正面。



第六章 维护

6.1 维护计划

维护项目	责任人
日常清洁	用户
清洗腔体	用户
清洗取水嘴	用户
一个月	用清洗刷清洗腔体
一季度	更换滤芯
半年	更换滤芯

6.2 日常维护

清洗机身和腔体
机身和腔体在每次使用之后, 最好用软毛毛巾沾热水进行清洗, 擦拭, 保持外观和内部的干净, 不要用金属刷, 钢丝球, 或者含氯化物产品来清洗门门或者腔体腔体, 在清洗前, 请确保腔体完全冷却了, 以避免烫伤。

清洗取水嘴

取水嘴可用热(烫)水清洗清洗, 不会变形

6.3 每月维护

清洗腔体腔体
不锈钢腔体部每日常用清水清洗蒸馏后残留沉淀之杂质, 每月(或视腔体内污垢多少)请用附带的长柄刷清洗腔体腔体去污, 操作步骤如下:
A. 注(热)水入不锈钢腔体至高于污染表面。
B. 将一至两汤匙(视腔体内污垢多少)的清洗液倒入腔内。
C. 不要盖上盖, 待电源插上, 打开总开关和加热按钮(加热指示灯亮), 将水加热。
D. 30 分钟后左右用清水冲洗, 以清水冲洗腔内。
E. 若一次无法清除全部污垢, 可重复上述动作。
F. 残留的污垢并无碍健康, 请放心使用。

6.4 季度维护

为了保证的蒸馏水出水纯度和质量, 您需要定期更换出水嘴, 更换步骤如下:
A. 将出水嘴左右或轻轻弯下, 即可取下出水嘴。
B. 将新的出水嘴根据取下的方式, 装回。
C. 以后更换, 请重复上述动作。

注意

如需要活性炭过滤, 请在出水嘴未装前, 将活性炭先放在出水嘴内。

第七章 故障与排除

序号	故障	故障产生原因	对应解决方法
1	未加热(指示灯未亮), 加热开关未开	按钮加热开关(或开关没拧紧, 可一手护住机体, 另一手压加热开关)	
	未加热(指示灯未亮), 保险丝未开	更换保险丝(10A)	
	未加热(指示灯未亮), 腔体未密封好	重新进行一次密封	
	腔体内注水	将腔体内注水关	
2	总开关未打开	打开总开关(“+”高下去为开)	
	上盖橡胶密封圈与腔体密封不严	更换上盖橡胶密封圈	
3	上盖未盖紧, 有漏气现象	盖紧上盖时, 请用手压一下上盖较子位置或出水嘴上面	
	冷凝管内壁有污垢, 影响冷凝效果。(由本说明书中的附录B本图进行参照)	由专业人员维修	
	上盖未盖紧, 漏气现象, 在外冷凝成水, 流出。	盖紧上盖时, 请用手压一下上盖较子位置或出水嘴上面	
4	出水嘴未盖过紧, 有漏气, 出水嘴外冷凝, 流出	环境温度高于 40 度时, 会有一至两滴流出; 腔体环境温度过高; 影响冷凝效果, 由专业人员维修	
	出水嘴未盖过紧, 有漏气, 出水嘴外冷凝, 流出	环境温度高于 40 度时, 会有一至两滴流出; 腔体环境温度过高; 影响冷凝效果, 由专业人员维修	

备注: 如发生以上未找到相关问题时, 请与厂商或销售商联系解决。

第八章 运输和储藏

8.1 运输和储藏前的准备

关闭电源, 拔去插头, 使机器完全冷却下。用毛巾将机身, 腔体全部擦干。

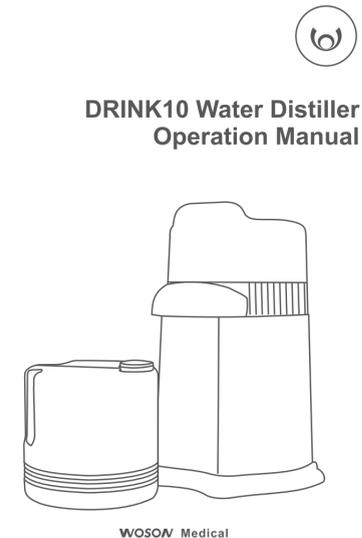
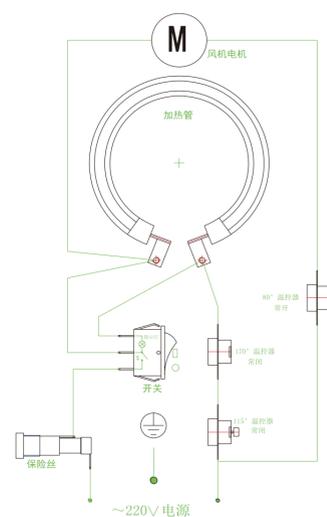
8.2 运输和储藏的条件

温度: -5℃ ~ +55℃
湿度: < 85%
大气压力: 500hPa~1060hPa

8.3 包装

包装用于在运输中保护产品, 便于运输和包装, 必须牢固可靠, 并保护产品不受损坏。

附录 1 电路连接图



Chapter 3 Receiving and Installation

3.1 Checking the Package

Please check the package carefully when you receive the production, for the production can be damaged by package disrepair anywhere.

Part Name	Function
KSD301 Temperature Controller	170 degree C automatic reset, Protecting Electric heating rings from damage of high temperature.
KSD301 Temperature Controller	115 Degree C manual reset, Avoiding auto-heating after water boiled while power on.
KSD301 Temperature Controller	80 degree C automatic reset, For energy-saving and safety, the cooling fan's running is controlled by chamber temperature.

Part Name	Function
Fuse	Clear the circuit when short circuit or over current.
Rocker Switch (Power Switch)	Convenient to start or end the distiller at any time

CAUTION MANUFACTURER IS NOT HELD RESPONSIBLE FOR ANY ARBITRARY DISASSEMBLY, AMENDMENT WITH THE UNIT, BY UNAUTHORISED PERSON OR UNPROFESSIONAL TECHNICIAN

2.3 Safety Parts

For avoiding risk, please be cautious at operation.

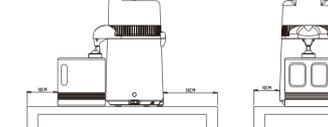
Operating Risk
For safety, please protect the cover after open it, for it can close automatically under external pressure.

Burn hazard
Do not open the cover while working, because you may be burned by water vapour.

The risk of contamination
For avoiding leaving contamination in chamber, please clean chamber as soon as possible.

3.3 Working Environment

Distiller installation should be left at least 10cm all around, and 20cm to the top.



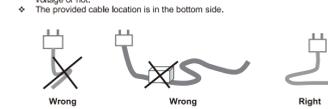
Advise installing in an environment with good condition of ventilation.
Ambient temperature: 30℃.
Relative humidity: <80%
Air-pressure: 860hPa ~ 1060hPa
Earthing

3.4 Installation

- ✦ Set the distiller on a stable surface, and keep at least 10cm from graphic edge.
- ✦ For safety, please remove all stuff from distiller.
- ✦ For convenient operation, please remove all stuff in front of distiller.
- ✦ Do not set bottle with rusty liquid around distiller, for eliminating potential hazard while Thermal distillation.

3.5 Power Connector

- ✦ Check the nameplate under distiller bottom whether it corresponds relevant supply voltage or not.
- ✦ The provided cable location is in the bottom side.



Chapter 4 Product Description and Specification

4.1 Front View



No.	Name	No.	Name
1	Filter Tip	7	Water tank
2	List	8	Gasket ring
3	Body	9	Rubber Plug
4	Fuse Holder	10	Insulator Cover
5	Temperature Protection Switch	11	Chamber
6	Power Switch		

4.2 Size and Capacity

Size	DRINK10
Extensil Size	225*270*370mm
Packing Size	260*260*420mm
Full Level Capacity	Φ180*142

4.3 Specification

Essential Paramter
Rated Voltage: a.c.220V~240V/50/60Hz
Rated Power: 750VA
Fuse: 250v 1T10A
Operating Temperature: 5~40℃
Noise: < 50db
Speed: 1.2L/H
Water Rate: >= 96%

Chamber
Material: Stainless Steel304
Maximum Capacity: 4L
The Highest Temperature: 120 ℃
Volume Capacity Size: Φ180*185
Temperature Safety Protection:
Visual temperature protection: 115 ℃
Heating element temperature protection: 170 ℃

Chapter 5 Operation Process

5.1 Setting

Open the packing chest. Take the distiller out of the chest. Then take the water tank out of the distiller. Set the distiller on a stable surface in terms of picture 1.

5.2 Water-adding

Open the lid (As picture 2). Pour proper volume of water into the chamber within the highest waterline.
ATTENTION As the cover connects tightly with the body, please hold the body with one hand, and pull the cover upward with another.

5.3 Power Connector

Set the storage bucket stably according to picture 1, insert the one end of power cord into the body, and another into correct electric outlet.

5.4 Starting

Turn on the power switch (If the power switch off, press the heating button). If the indicator light on, it means start to heating. After a period of time, the cooling fan will run automatically for distilling.
It takes about 3.5 hours to distill 4L water, and the first pure drop will appear after half an hour, subject to local temperature.

5.5 Ending

When distilling finished, the heating system will stop automatically, and indicator light will be off. However, the cooling fan will keep running until the chamber temperature drops below 70 degree C.

CAUTION Heating button is in charge of heating process start. The heating process will stop automatically when there is no water or no water for distilling. (When heating, indicator light in power switch on; stopping, off). Power switch controls both of heating and cooling fan's running.
For filtering, the distiller is furnished with active carbon. In accordance with demand, you can put the active carbon into the faucet, and then pull it, you can take it off.

CAUTION As upper cover is heavy, do not open and erect it while using.

5.6 Power Off

Please turn off the power switch when no longer in use.
Please pull the end of power cord out of electric outlet when no longer in use.

Chapter 6 Maintenance

6.1 Maintenance Schedule Chart

Maintenance Required	Person Responsible
Daily	
Clean Body	User
Clean Chamber	User
Clean Water tank	User
One Month	
Clean Chamber with Abluent	User
One Quarter	
Filter Tip Replacement	User

6.2 Daily Maintenance

Please clean and drain the chamber and body with soft towel after using.
WARNING DO NOT CLEAN DOOR OR ASSEMBLE CHAMBER WITH METALLIC BRUSH, STEEL WOOL, OR PRODUCTS CONTAINING CHLORIDE. TO AVOID SCALD, PLEASE MAKE SURE DISTILLER IS COOLED DOWN BEFORE CLEANING.
Cleaning Water Tank
Water tank can be disinfected and cleaned with warm (not) water, and it will not be out of shape by hot water.

6.3 Monthly Maintenance

Cleaning Chamber with Abluent
The internal of stainless steel tank need to be washed with clean water in order to remove the distillation residual precipitation and impurities. And please clean the stainless steel tank per month (or depend on the quantity of dirt within the tank), with the detergent which we recommend to you. The procedure as follow:
A. Add enough (hot) water into tank till cover dirt.
B. Put one or four (depends on quantity of dirt) spoon of detergent into tank.
C. Heat water with lid opened.
D. Pour out water after 30 minutes, and then wash the tank with clean water.
E. If cannot remove all dirt, please repeat process.
F. Residual dirt will not affect health, please feel free to use the machine.

6.4 Quarter Maintenance

For guaranteeing the purity and quality of distilled water, you need to replace the faucet regularly. The step as follows:
A. Push the left or right side of faucet, and then pull it, you can take it off.
B. According to the way of taking, you can put it on in an opposite way.
C. Repeat those steps when it needs to replace.

6.5 Power Off

Please turn off the power switch when no longer in use.
Please pull the end of power cord out of electric outlet when no longer in use.

第四章 产品描述和技术参数

4.1 正面视图



No.	Name	No.	Name
1	过滤嘴	7	收集桶
2	上盖	8	密封胶圈
3	主体	9	出气口橡胶垫圈
4	保险丝	10	不锈钢盖
5	温度保护开关	11	腔体
6	电源开关		

4.2 外形尺寸

项目	DRINK10
外形尺寸	225*270*370mm
包装尺寸	260*260*420mm
最大水位容量	Φ180*142

4.3 技术参数

基本参数	腔体	安全防护温度:
额定电压: a.c.220V~240V, 50/60Hz 额定功率: 750VA 保险丝: 250v 1T10A 操作温度: 5~40℃ 噪音: <50db 制水量: 1.2L/H 出水率: >=96%	材料: 不锈钢304 最大容量: 4L 最高温度: 120 ℃ 容腔尺寸: Φ180*185	腔体保护温度: 115 ℃ 加热保护温度: <85% 170 ℃

Chapter 1 Introduction

1.1 Attention

- ✦ This manual contains necessary and sufficient information to operate the system safely, like optimal use, a safe and reliable operation, regular and correct servicing requirements.
- ✦ Read and understand all instructions in this manual before attempting to use the product.
- ✦ Keep this manual with the equipment at all times. Periodically review the procedures for operation and safety precautions.

1.2 Application Range

- ✦ The medical distiller is designed by our company, which is for the places that needs High-purity water, such as clinic, Beauty Studio, hospital, laboratory.
- ✦ Operated by adult. Considering Ergonomic, it outstands on convenient using and safety, and continually, it can produce pure water 1L per hour in average.

1.3 Method

The pure water producing method is to transform liquid water into gaseous water by heating, then to achieve pure water (distilled water) through cooling.

